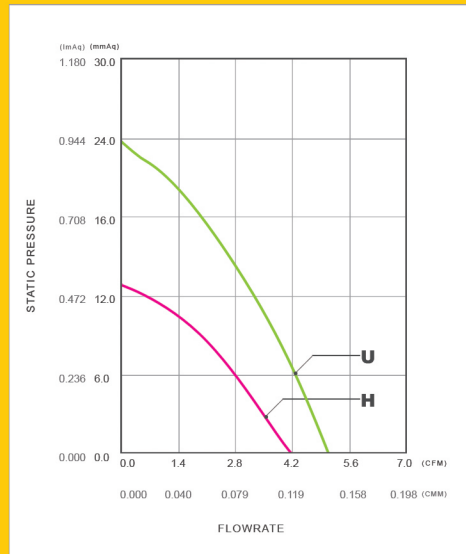


BLOWER

AB5115



Fan Performance Curve

Frame: Plastic (UL: 94V-0)

Impeller: Plastic (UL: 94V-0)

Lead wire: UL1007AWG28



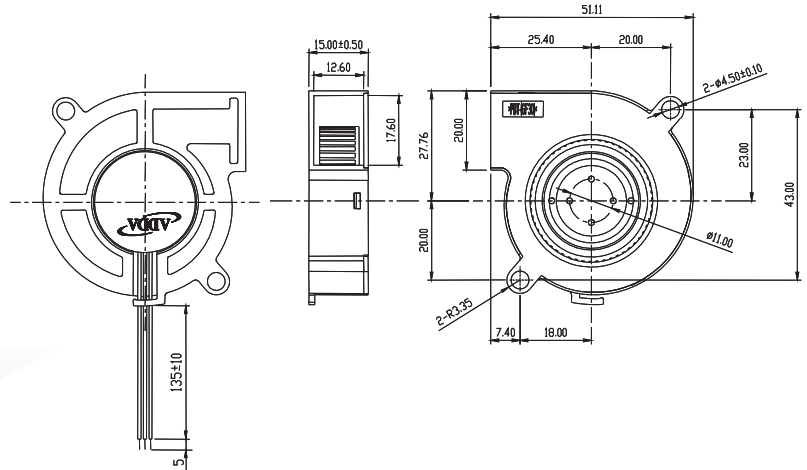
	51x51x15	
Frame size (mm)	51x51x15	
Model No.	AB05105HB150300	AB05112UB150300
Bearing System Type	Ball	Ball
Rated Voltage (VDC)	5	12
Current (A)	0.2	0.18
Power (W)	1	2.16
Rated Speed (rpm)	5500	6500
Maximum AirFlow		
(CMM)	0.118	0.143
(CFM)	4.17	5.07
Maximum Pressure		
(InAq)	0.504	0.932
(mmAq)	12.8	23.68
*Noise Level (dB/A)	38	43
Weight (g)	26	26





AB5115 SERIES

External Dimensions



Frame:Plastic(UL:94V-0)
 Impeller:Plastic(UL:94V-0)
 Lead wire:UL1007AWG28

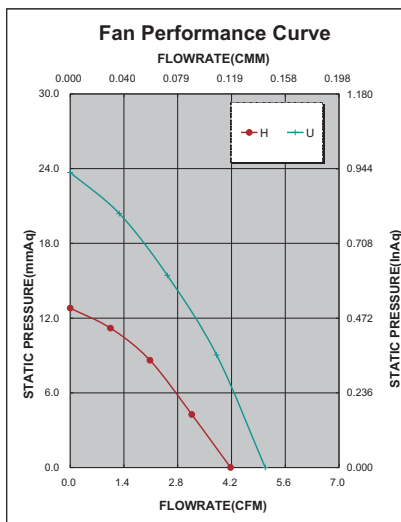
Specifications(Nominal)

*:Noise is measured at the distance of one (1) meter from the axis of intake.

Bearing type: ◎=Ball ※=Sleeve ○=1B1S ●=Hypro bearing

Frame size (mm)	Model No.	Bearing System Type	Rated Voltage (VDC)	Current (A)	Power (W)	Rated Speed (rpm)	Maximum AirFlow (CMM)	Maximum AirFlow (CFM)	Maximum Pressure (InAq)	Maximum Pressure (mmAq)	*Noise Level (dB/A)	Weight (g)
51x51x15	AB05105HB150300	◎	5	0.20	1.00	5500	0.118	4.17	0.504	12.80	38.0	26.0
	AB05112UB150300	◎	12	0.18	2.16	6500	0.143	5.07	0.932	23.68	43.0	

Specifications subject to change without notice.



*Motor protective circuit and third lead wire functions

0	1	2	3	4	6	7	8	9	A	B
	✓	✓	✓							

*Safety approvals

✓	✓		✓	✓